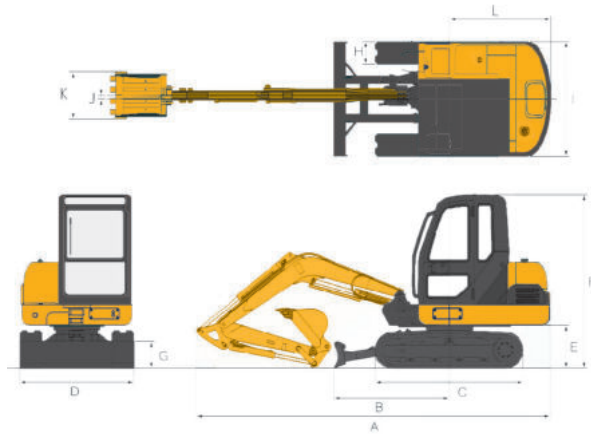


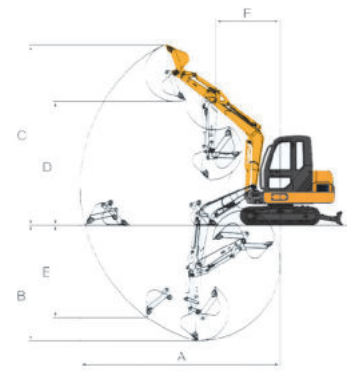
DIMENSIONS



unit: mm

A	B	C	D	E	F	G	H	I	J	K	L
4835	1580	2060	1550	585	2360	355	300	1550	50	600	1375

WORKING RANGE



unit: mm

Parameter	Value	
A	Maximum digging radius	5080
B	Maximum digging depth	3150
C	Maximum digging height	4930
D	Maximum dumping height	3350
E	Maximum vertical digging depth	2450
F	Minimum swing radius	1520

SPECIFICATION

Performance	Parameter
Model	40NS
Operating weight	3650kg
STD. Bucket capacity	.011m ³
Engine	
Maker	YANMAR
Model	3TNV88 BQIKA1
Rated output	20.1kW/2300min ⁻¹
Working Performance	
Swing speed	8.8 rpm
Travel speed	2.6/4.8km/h
Gradeability	30°

Performance	Parameter
Max. digging force	26.5kN
Hydraulic System	
Pressure	20.6MPa
Flow	40.3L/min×2+24.6L/min
Oil Capacity	
Fuel Tank Capacity	59L
Hydraulic Oil Tank Capacity	45L
Dozer blade	
Size	1550mm×355mm
Height	390mm/450mm

- This booklet is only for promotion, the pictures and contents may differ from the actual objects, and the actual objects shall prevail. The contents and specifications will be subject to change without prior notice.



KATO SCE

KATOSCE (XIAMEN) CONSTRUCTION MACHINERY CO.,LTD

Address: No.39 Huanzhu Road, North Industrial Area, Jimei District, Xiamen

Tel: 0086-592-6292222 Website: www.ihisce.com



KATO

40NS





Featuring, durability, speed, flexibility, strong power, 40NS is the mini excavator which is more suitable for severe construction environment.

40NS gives outstanding performance in civil engineering, agricultural construction, earthmoving, demolition, dredging, trenching, and road maintenance.

SAFETY AND ENVIRONMENT-FRIENDLY



Environmental-friendly engine
The YANMAR engine features low fuel consumption, low noise and strong power.



Control lock lever
Large door, liftable console and joysticks facilitate safe and convenient access into the cab.

TRI-PUMP HYDRAULIC SYSTEM

Tri-pump system
Tri-pump full power control system ideally distribute and utilize the flow, improve and enhance the performance.

Straight travel system
Straight travel system provides smoother and more effective travel ability.

High pressure travel system
The high pressure travel system enables stronger travel ability.

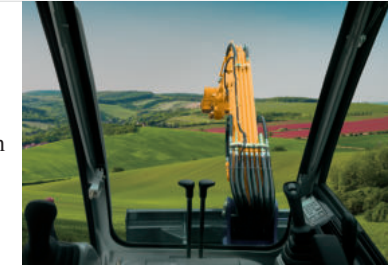


Boom holding valve
Holding valve effectively reduces the descent of the boom.



COMFORTABLE OPERATION SPACE

Multi point ventilation air conditioner
High capacity multi point ventilation air conditioner is standard, enabling operators to feel a multi-directional air conditioning effect.



DIGITAL INSTRUMENT



SPACIOUS

SMOOTH OPERATION AND EASY MAINTENANCE

X-shaped under carriage


Full open engine cover

Full open engine cover facilitates easier maintenance.

High capacity radiator




Working light under the boom.


Large capacity fuel oil tank


Reinforced dozer blade
